

## DG-100 Split Digital Keypad Entry system Operation User's Manual (4 Codes)

### 1. Product Characteristic:

- ◆ Allows up to 99 PIN codes
- ◆ Random user codes for anti-peeping
- ◆ Fully Programmable via keypad and master code
- ◆ LED display with audible indication
- ◆ Non-Volatile Memory
- ◆ Invalid PIN Lock-out
- ◆ Metal die casting housing
- ◆ Deftly dimension for narrow jamb
- ◆ With vandal resistant screws
- ◆ Split of controller and reader for high security.

### 2. Specifications:

- ◆ Operating Voltage: 12 Vdc
- ◆ Current Draw: Average 15mA, Peak 70mA @ 12Vdc
- ◆ Output: N.O./N.C./Com. Output (free voltage contact)
- ◆ Relays Rated: 2A MAX @30Vdc ; 0.4A @ 120Vac
- ◆ Relay Activation Time: ( \* 100 )
  - Strike Time: 1~99 seconds ( adjustable )
  - Strike mode: Access Timer or Latch
- ◆ PIN codes: 4 digit codes
- ◆ User codes capacity: 99 slots
- ◆ Operating Temperature: -20~+70°C
- ◆ Ambient Humidity: 5~95% relative humidity non-condensing
- ◆ Factory Master Code: 1234
- ◆ Invalid PIN Lock-out: The system will shut down for 60 seconds while 30 codes of incorrectly Master Codes enrolled or PIN codes attempted ( None beeper signal of keypad activations ) .
- ◆ EPROM: Non-volatile memory, System will retain all programs and codes after a total loss of power.
- ◆ Color: Beige White
- ◆ Distance between the keypad and controller board: Maximum 50 M (cable#22~26 AWG).

### 3. The indicator signal chart:

Sound and LED indicator:

LED signal	Green LED	Relay activated
	Red LED	Power on, stand-by
	Yellow LED	Programming mode
Sound signal	1 Beep	Key-in, Effective PIN codes
	2 Beeps	Entering 、 Exiting from the Program mode
	3 Beeps	Data computing error 、 other operation mistakes
	5 Beeps	Master Code reset to Factory ( 1234 ) or remove all stored user codes

4. Default Setting:

Master code	1234
Relay time	5
Pressed key delay	30 seconds
Setting mode delay time	50 seconds

5. Operation Instruction:

◆ Enter Program Mode:

1. Compose twice the master code (Factory master is 「1234」)  
→ 2 beeps → you are now in the "programming mode".
2. After 50 seconds if you have not entered any codes or data, the system will automatically exit from the programming mode.
3. After 30 wrong codes attempts at the master code the lockout facility will operate.

◆ Exiting from the program mode:

1. Press 「#」 to exit from the programming mode.
2. After 50 seconds if you have not entered any codes or data, the system will automatically exit from the programming mode.
3. After 30 wrong codes attempts at the master code the lockout facility will operate.

◆ Add PIN codes

Enter the Programming mode, Enter the slot position code 「\*001~\*099」 →?????  
Input 4 digit PIN codes → (beep) enrolled → (repeat)  
Press 「#」 to exit from the programming mode, or program other operating.

**Note 1:** The codes 「0000」, 「1234」 or master code are not be used for PIN code.

**Note 2:** Random user codes operate open door : 「???????????????????????????????? \* \* \* \*」, 「???...」 random codes, 「\* \* \* \*」 4 digit user codes. (Random codes and correct user codes total 29 digits.)

◆ To Delete a User Code :

Enter the Programming mode → Press the slot position code of your choice to delete (example "06") → Press 「\*006」 → 「0000」 → (beep) → delete → Press 「#」 to exit from the programming mode, or programming other operating.

◆ To Program Relocking Timer

Enter the Programming mode,

- A. Relay : Press 「\*100」 Followed by the number of seconds the relay should open → 「05」 =5 seconds (01 ~99 = seconds) → (beep) → enrolled → Press 「#」 to exit from the programming mode, or program other operating.
- B. Enter 「00」 Sets the relay to latching mode. (Correct code entered opens the relay, and the relay stays open until the correct code is entered again).

◆ Changing the Master codes:

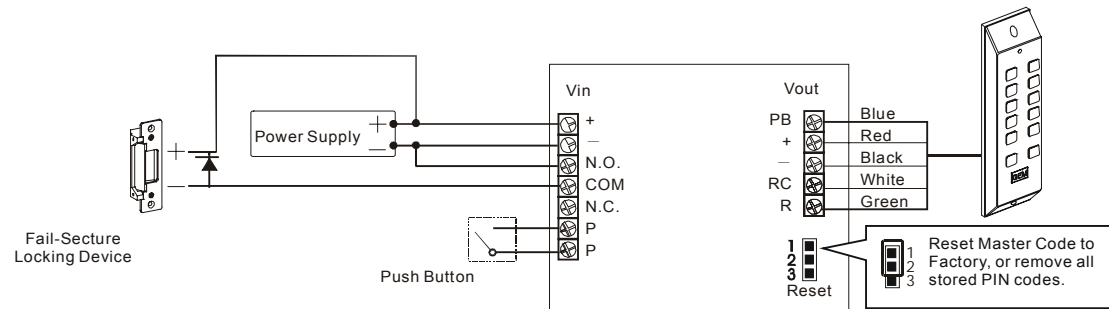
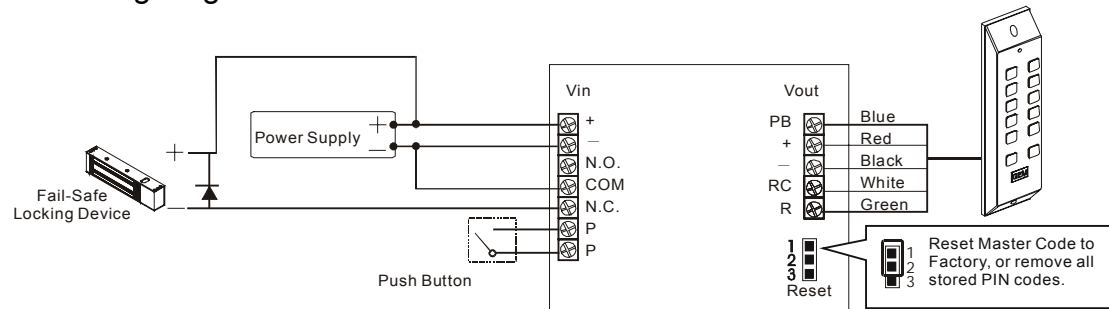
Enter the Programming mode, Enter 「\*000」 Followed by the new 4 digit master code → (beep) → enrolled → Enter 「#」 to exit from the programming mode, or program other operating.

◆ Master Code reset to Factory 「1234」

Insert the jumper RESET → 1-2 position → 5 audible beeps → Reset successful → Return Insert the jumper to 2-3 positions.

- ◆ Master Code reset to Factory 「 1234 」 and Delete All User Codes  
 Insert the jumper RESET → 1-2 position → 5 audible beeps → Reset Master Code successful → (after 3 seconds) → 5 audible beeps → Delete All User Codes → Return  
 Insert the jumper to 2-3 positions.

6. Wiring diagram:



Note:

- ◆ The suggested wire gauge is #22~26 AWG.
- ◆ Distance between the keypad and controller board: Maximum 50 M (cable #22~26 AWG).
- ◆ The varistor or diode must be connected across the lock terminal (electromagnet...) operated by the device. The varistor controls the overload produced by the strike coil (EMP).