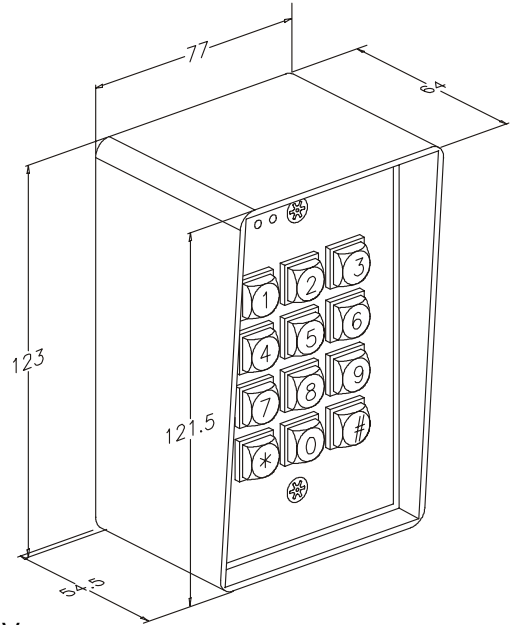


# DG-15 Digital Keypad Entry system Operation User's Manual

## 1. Product Characteristic:

- ◆ 4 or 5 digit code programmable
- ◆ Allows up to 20+1 PIN codes
- ◆ Dual relays output for multi-control
- ◆ Door Reed Switch Input for Anti-Trailing
- ◆ Fully Programmable via keypad and master code
- ◆ 3 LED display with audible indication
- ◆ Non-Volatile Memory
- ◆ Invalid PIN Lock-out
- ◆ Metal die casting housing
- ◆ With vandal resistant screws

(Unit: mm)



## 2. Specifications:

- ◆ Operating Voltage: 12 Vdc
- ◆ Current Draw: Average 15mA, Peak 100mA @ 12Vdc
- ◆ Input: request-to-exit, time out reed switch contact
- ◆ Output: Dual relays, N.O./N.C./Com. Output (free voltage contact)
- ◆ Relays Electric Current: 2A MAX @30Vdc ; 0.4A @ 120Vac
- ◆ Relay Activation Time:
  - Relay 1 time delay setting code 「 \*30 」 、 Relay 2 setting code 「 \*31 」
  - Strike Time: 1~99 seconds ( adjustable )
  - Strike mode: Access Timer or Latch
- ◆ Memory Volume: 20+1 PIN codes
  - Relay 1 is controlled by \*01~\*20 user slots
  - Relay 2 is controlled by \*21 user slots
- ◆ Operating Temperature: -20~+70℃
- ◆ Ambient Humidity: 5~95% relative humidity non-condensing
- ◆ Factory Master Code: 12345
- ◆ Invalid PIN Lock-out: The system will shut down for 60 seconds while 30 codes of incorrectly Master Codes enrolled or PIN codes attempted ( None beeper signal of keypad activations ) .
- ◆ EPROM: Non-volatile memory, System will retain all programs and codes after a total loss of power.

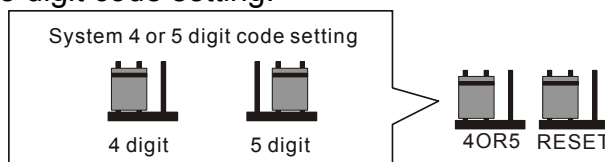
## 3. The indicator signal chart:

Sound and LED indicator:

LED signal	Green LED	Power on, stand-by
	Red LED	Relay 1 activated
	Yellow LED	Relay 2 activated
Sound signal	1 Beep	Accepted PIN codes 、 Any key pressed
	2 Beeps	Entering 、 Exiting from the Program mode
	3 Beeps	Data computing error
	5 Beeps	Master Code reset to Factory ( 12345 )

#### 4. Operation Instruction:

##### ◆ System 4 or 5 digit code setting:



##### ◆ Enter Program Mode:

1. Enter the master code TWICE (4 digit format press 「1234」, 5 digit format press 「12345」) → 2 beeps → you are now in the "programming mode".
2. After 60 seconds if you have not entered any codes or data, the system will automatically exit from the programming mode.

##### ◆ Exiting from the program mode:

1. Press 「#」 to exit from the programming mode.
2. After 30 wrong codes attempts at the master code the lockout facility will operate.

##### ◆ Add PIN codes

Enter the Programming mode, Enter the slot position code 「\*01~\*20」 →????? Input 5 digit (or 4 digit) PIN codes → (beep) enrolled → (repeat)

Press 「#」 to exit from the programming mode, or move on to next program required.

**Note 1:** The codes 「0000」, 「00000」, 「1234」, 「12345」 or master code are not be used for PIN code.

**Note 2:** Relay 2 is controlled by \*21 user slots

##### ◆ To Delete a User Code :

Enter the Programming mode → Press the slot position code of your choice to delete (example "06") → Press 「\*06」 → 「0000」 (or 「00000」) → (beep) → delete → Press 「#」 to exit from the programming mode, or move on to next program required.

##### ◆ To Program The Lock Timer

Enter the Programming mode,

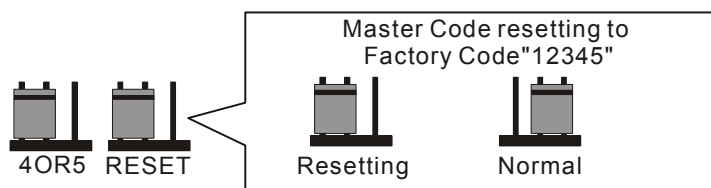
- A. Relay 1 : Press 「\*30」 Followed by the number of seconds the relay should open → 「05」 =5 seconds (01 ~99 = seconds, 「00」 Sets the relay to latching mode) → (beep) →enrolled → Press 「#」 to exit from the programming mode, or move on to next program required..
- B. Relay 2 : Press 「\*31」 Followed by the number of seconds the relay should open) → 「05」 =5 seconds (01 ~99 = seconds, 「00」 Sets the relay to latching mode). → (beep) →enrolled → Press 「#」 to exit from the programming mode, or move on to next program required..
- C. Latching mode: Correct code entered opens the relay, and the relay stays open until the correct code is entered again.

##### ◆ Changing the Master codes:

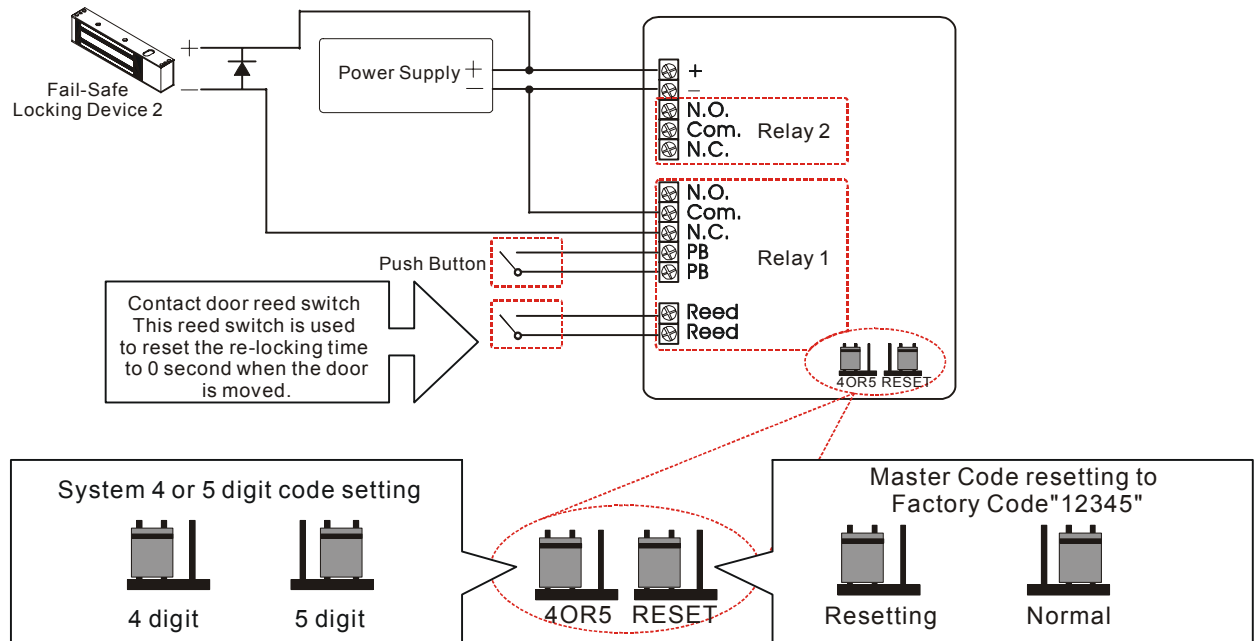
Enter the Programming mode, Enter 「\*00」 Followed by the new 4 digit (or 5 digit) master code → (beep) →enrolled → Enter 「#」 to exit from the programming mode, or program other operating.

##### ◆ Master Code reset to Factory 「12345」

Insert the RESET jumper resetting position → 5 audible beeps → Reset successful → Return Insert the jumper to normal position.



## 5. Wiring diagram:



### Note:

- ◆ The suggested wire gauge is #22~26 AWG.
- ◆ The varistor or diode **MUST** be connected across the lock terminal (electromagnet...) operated by the device. The varistor controls the overload produced by the strike coil (EMP).
- ◆ Egresses switch should be N.O. type.
- ◆ REED contact input for anti-trailing ( Relay 1 ) . Contact door reed switch, this reed switch is used to reset the re-locking time to 0 second when the door is moved. Using N.O. contact in case of door closed changeover to N.C. When door is moved.